

Aluminum Frame Cabinet Door Quote Form

Request for Quote

Company: _____
 Contact Name: _____
 Address: _____
 City, State, Zip: _____
 Phone #: _____
 Fax #: _____
 Email: _____

Email (or fax) form to your authorized distributor:

Maple Craft USA
 P.O. Box 26 · Albion, PA 16401
 maplecraftusa@yahoo.com
 Ph: (800) 756-8077
 Fx: (800) 756-9077

Date: _____ PO #: _____

<p>① Profile Type (select one)</p> <p><input type="checkbox"/> AF001 <input type="checkbox"/> AF002 <input type="checkbox"/> AF003 <input type="checkbox"/> AF004 <input type="checkbox"/> AF005 <input type="checkbox"/> AF006* <input type="checkbox"/> AF007 <input type="checkbox"/> AF008 <input type="checkbox"/> AF009** <input type="checkbox"/> AF010* <input type="checkbox"/> AF011</p> <p><small>* AF006 & AF010 available with backpainted glass inserts only ** AF009 made with 6mm inserts, contact Element Designs for insert options</small></p> <p>② Profile Finish (select one) Anodized Finish</p> <p><input type="checkbox"/> Natural Anodized <input type="checkbox"/> Brushed Stainless Steel <input type="checkbox"/> Chrome (AF003/AF010 only) <input type="checkbox"/> Arctic Gold (AF003 only)</p> <p>Powdercoat Finish</p> <p><input type="checkbox"/> Oil Rubbed Bronze <input type="checkbox"/> White <input type="checkbox"/> Black</p>	<p>③ Insert Type (select one)</p> <p>Standard Glass Inserts:</p> <p><input type="checkbox"/> Satin (acid etched) <input type="checkbox"/> Listral D <input type="checkbox"/> Clear <input type="checkbox"/> Austral <input type="checkbox"/> Reeded - Vertical <input type="checkbox"/> Master Carre <input type="checkbox"/> Reeded - Horizontal <input type="checkbox"/> Smoked</p> <p>Backpainted Glass Insert: Painted Glass Finish (select one): <input type="checkbox"/> Gloss <input type="checkbox"/> Matte</p> <p><input type="checkbox"/> White <input type="checkbox"/> Sand <input type="checkbox"/> Silver <input type="checkbox"/> Black <input type="checkbox"/> Olive <input type="checkbox"/> Bronze <input type="checkbox"/> Charcoal <input type="checkbox"/> Mocha <input type="checkbox"/> Scarlet</p> <p><input type="checkbox"/> Non-Standard Color*: _____ <input type="checkbox"/> Custom Color*: _____</p> <p><small>*Color match fee may apply. Contact Element Designs for details.</small></p> <p><input type="checkbox"/> 3Form® Resin Inserts: Pattern: _____</p> <p><input type="checkbox"/> PARAPAN® High Gloss Inserts: Color: _____</p> <p>Metallic Inserts:</p> <p><input type="checkbox"/> Aluminum Laminate <input type="checkbox"/> Stainless Lam. - Vertical <input type="checkbox"/> Platinum Ice Acrylic <input type="checkbox"/> Stainless Lam. - Horizontal <input type="checkbox"/> NO INSERT</p> <p style="text-align: center;"><small>all inserts are 5/32" (4mm) thick</small></p>	<p>④ Decorative Hardware</p> <p>Knobs</p> <p><input type="checkbox"/> K001 <input type="checkbox"/> K005 <input type="checkbox"/> K006 <input type="checkbox"/> K007 <input type="checkbox"/> K008 <input type="checkbox"/> K009</p> <p>Bar Pulls</p> <p><input type="checkbox"/> P1-127 <input type="checkbox"/> P1-190 <input type="checkbox"/> P1-250 <input type="checkbox"/> P1-380 <input type="checkbox"/> P1-640 <input type="checkbox"/> P1-880 <input type="checkbox"/> P1-76S <input type="checkbox"/> P1-192S <input type="checkbox"/> P1-320S <input type="checkbox"/> P1-76ORB <input type="checkbox"/> P1-192ORB <input type="checkbox"/> P1-320ORB</p> <p>Finger Pulls</p> <p><input type="checkbox"/> P2-42 <input type="checkbox"/> P2-42S <input type="checkbox"/> P2-42ORB</p> <p>Qty. Knobs/Pulls: _____</p> <p><input type="checkbox"/> no handle holes <input type="checkbox"/> other handles-drill handle holes (pg 2)</p>	<p>⑤ Hinges & Plates</p> <p><input type="checkbox"/> None</p> <p>Wide frame aluminum door 35mm, 120°</p> <p><input type="checkbox"/> Blum - H71T5550 self close <input type="checkbox"/> Blum - H71B3550 soft close <input type="checkbox"/> Salice: HC2P9A99 self close</p> <p>Narrow frame aluminum door 35mm, 120°</p> <p><input type="checkbox"/> Blum - H73T550A self close 5/8" (15mm) overlay <input type="checkbox"/> Blum - H71T950A self close full overlay <input type="checkbox"/> Blum - H71B950A soft close 5/8" (15mm) overlay <input type="checkbox"/> Salice - HC2Z6A99 self close full overlay</p> <p>Qty. Hinges: _____</p> <p>Hinge Mounting Plates</p> <p><input type="checkbox"/> None <input type="checkbox"/> 0mm</p> <p>Qty. Plates: _____</p>
--	---	--	---

Item	Quantity	Door/ Drawer/ Panel Size WIDTH x HEIGHT		in/mm	Left (L), Right (R), Up (U) Drawer Front (D), or Panel (P)	# Hinge Borings/ Door	Element Designs Use Only	
							Price	Ext. Price
1					<input type="checkbox"/> L <input type="checkbox"/> R <input type="checkbox"/> U <input type="checkbox"/> D <input type="checkbox"/> P			
2					<input type="checkbox"/> L <input type="checkbox"/> R <input type="checkbox"/> U <input type="checkbox"/> D <input type="checkbox"/> P			
3					<input type="checkbox"/> L <input type="checkbox"/> R <input type="checkbox"/> U <input type="checkbox"/> D <input type="checkbox"/> P			
4					<input type="checkbox"/> L <input type="checkbox"/> R <input type="checkbox"/> U <input type="checkbox"/> D <input type="checkbox"/> P			
5					<input type="checkbox"/> L <input type="checkbox"/> R <input type="checkbox"/> U <input type="checkbox"/> D <input type="checkbox"/> P			
6					<input type="checkbox"/> L <input type="checkbox"/> R <input type="checkbox"/> U <input type="checkbox"/> D <input type="checkbox"/> P			
7					<input type="checkbox"/> L <input type="checkbox"/> R <input type="checkbox"/> U <input type="checkbox"/> D <input type="checkbox"/> P			
8					<input type="checkbox"/> L <input type="checkbox"/> R <input type="checkbox"/> U <input type="checkbox"/> D <input type="checkbox"/> P			

Special Instructions/ Sample Requests: _____

Knobs/ Pulls		
Hinges		
Subtotal		
Shipping		
Total		

All glass is tempered safety glass. Tempered glass will not have an etched tempered logo unless otherwise specified at time of order.

Hinge and Handle Specs

Please make copy and fill out 1 sheet for each different boring pattern.

Line Item # _____ (from pg 1) Customer Line Item # _____
(if applicable)

Hinge Borings

X1 = _____ (std=7/8") OR B = _____ (std=5 mm)

X2 TOP/LEFT = _____ (minimum = 3")
(std = 3 1/2")

X2 BOTTOM/RIGHT = _____ (minimum = 3")
(std = 3 1/2")

X3 = _____ (optional)

X4 = _____ (optional - not shown)

X5 = _____ (optional - not shown)

Handle Borings

of Holes: _____

K1 = _____ (Knob or Pull)
(Std = centered on frame)

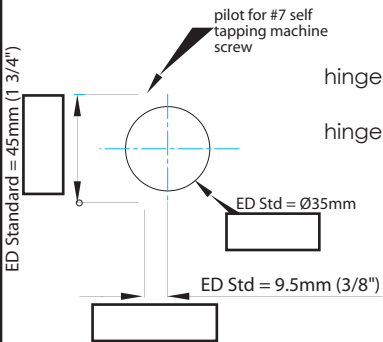
K2 = _____ (Knob or Pull)
(Min = 2 1/4") (Std = 2 1/2")

KC = _____ (Pull only)
(center to center distance)

Handle Hole Diameter = 11/64"

Contact Element Designs for special hardware borings (e.g. lift-up systems)

Hinge Boring Spec

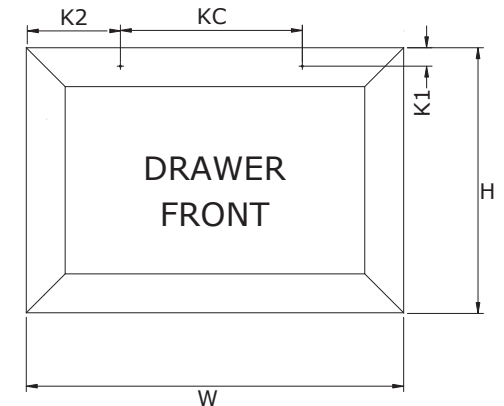
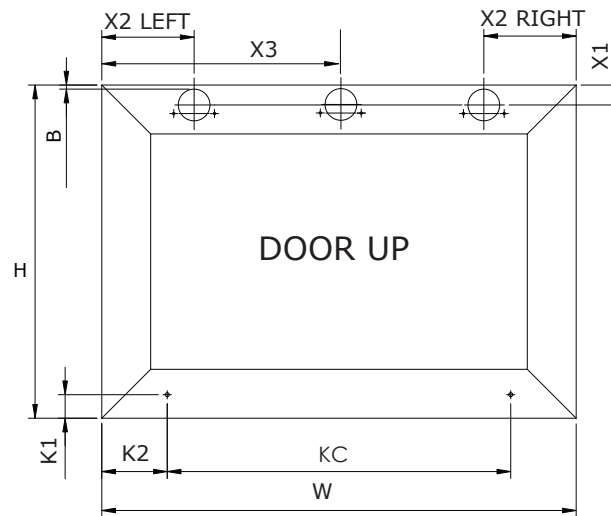
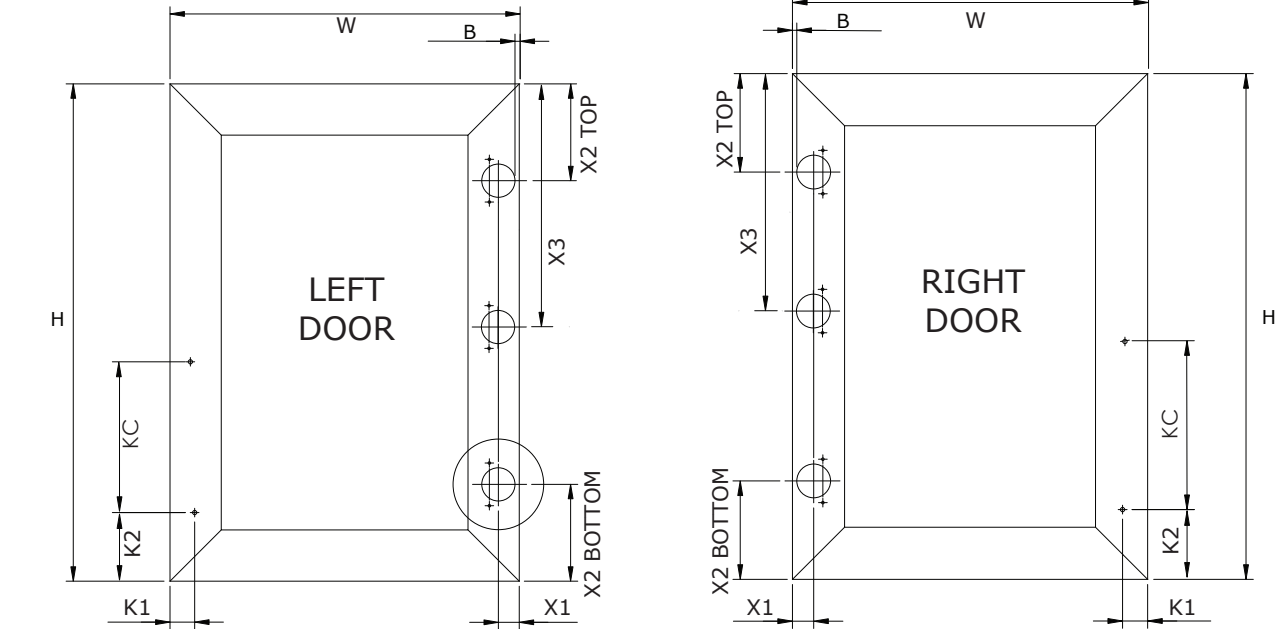


hinge mfg: _____

hinge part #: _____

** Hinge screws are included with each order **

BACK OF DOOR/ DRAWER FRONT SHOWN



for additional information or customer support please call: (800) 756-8077